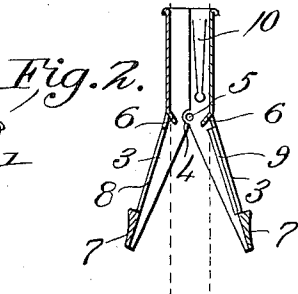
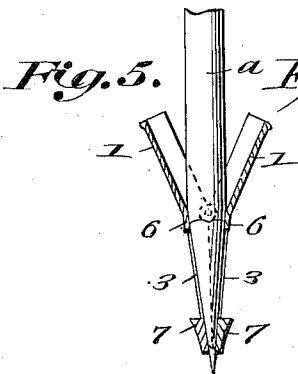
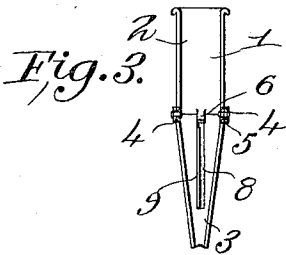
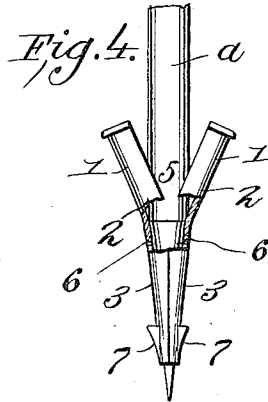
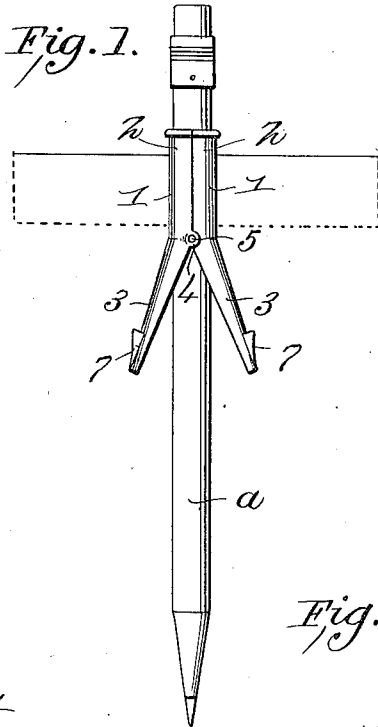


R. R. HAZLETT.
 COMBINED PENCIL HOLDER AND SHARPENER.
 APPLICATION FILED DEC. 20, 1912.

1,090,710.

Patented Mar. 17, 1914.



Witnesses

Carroll Bailey
J. W. Garnier

Inventor
R. R. Hazlett,

By *Victor J. Evans*
 Attorney

UNITED STATES PATENT OFFICE.

ROY RAEBURN HAZLETT, OF WARSAW, NORTH CAROLINA.

COMBINED PENCIL HOLDER AND SHARPENER.

1,090,710.

Specification of Letters Patent. Patented Mar. 17, 1914.

Application filed December 20, 1912. Serial No. 737,897.

To all whom it may concern:

Be it known that I, ROY R. HAZLETT, a citizen of the United States, residing at Warsaw, in the county of Duplin and State of North Carolina, have invented new and useful Improvements in Combined Pencil Holders and Sharpeners, of which the following is a specification.

This invention is a combined pencil holder and sharpener and consists in the construction, combination and arrangement of devices hereinafter described and claimed.

The object of my invention is to provide an improved device of this character which is extremely cheap and simple, is strong and durable and which is adapted for use both as a pencil holder and as a pencil sharpener.

In the accompanying drawings: Figure 1 is a side elevation of a combined pencil holder and sharpener constructed in accordance with my invention, showing the same on a pencil and arranged for use as a pencil holder. Fig. 2 is a sectional view of the same. Fig. 3 is a transverse sectional view of the same. Fig. 4 is an elevation of the device arranged for use on a pencil sharpener. Fig. 5 is a longitudinal sectional view of the device when in use as a pencil sharpener.

My improved combined pencil holder and sharpener comprises a pair of members 1 each of which has a semi-tubular clamping arm 2 and a cutter arm 3 arranged at an angle to the clamping arm. These members are provided on their opposing sides in the angles between the clamping and cutter arms with overlapping hinge lugs 4 through which pivots 5 extend so that the members are pivotally connected together and springs 6 are provided which are struck up from said members, bear against the pencil and close the semi-tubular clamping arms thereof against each other so that the device is clamped upon a pencil such as indicated at *a*. The cutter arms 3 are wedge-shaped in side elevation so that their side edges converge to a point to enable the cutter arms to be closed manually against the end of a pencil and the said cutter arms are provided at their pointed ends with finger pieces 7 to facilitate the operation of the device as a pencil sharpener.

It will be understood that when the cutter arms are closed the clamping arms are open. Each cutter arm is provided with a longitudinal slot 8 and with a knife or blade 9 in one side of the slot. When the cutter arms are closed against each other, they form a cone and, hence, when the device is used as a pencil sharpener and a pencil is rotated therein with one end in the conical end of the device, the said end is trimmed to provide a cone and to form a sharpened conical point, as will be understood.

A clip 10 is formed integrally with one of the semi-tubular clamping arms and is preferably struck up therefrom and serves to enable the device to be suspended from the upper side of a vest pocket or coat pocket to enable the device to be used as a pencil holder.

While I have herein shown and described a preferred form of the invention, I would have it understood that changes may be made in the form, proportion and construction of the several parts without departing from the spirit of the invention and within the scope of the appended claims.

I claim:—

1. A combined pencil holder and sharpener comprising a pair of members each having a semi-tubular clamping arm and a cutter arm at an angle to the clamping arm, said members being pivotally connected together at a point in the angles between said clamping arms and cutter arms, and provided with inwardly projecting springs in the said angles, for the purpose set forth.

2. A combined pencil holder and sharpener comprising a pair of members each having a semi-tubular clamping arm and a cutter arm at an angle to the clamping arm, said members being pivotally connected together at a point in the angle between said clamping arms and cutter arms, and springs arranged to bear against the pencil when the latter is placed in the device and to close the clamping arms against the pencil.

In testimony whereof I affix my signature in presence of two witnesses.

ROY RAEBURN HAZLETT.

Witnesses:

G. W. SHANK,
H. B. HAZLETT.